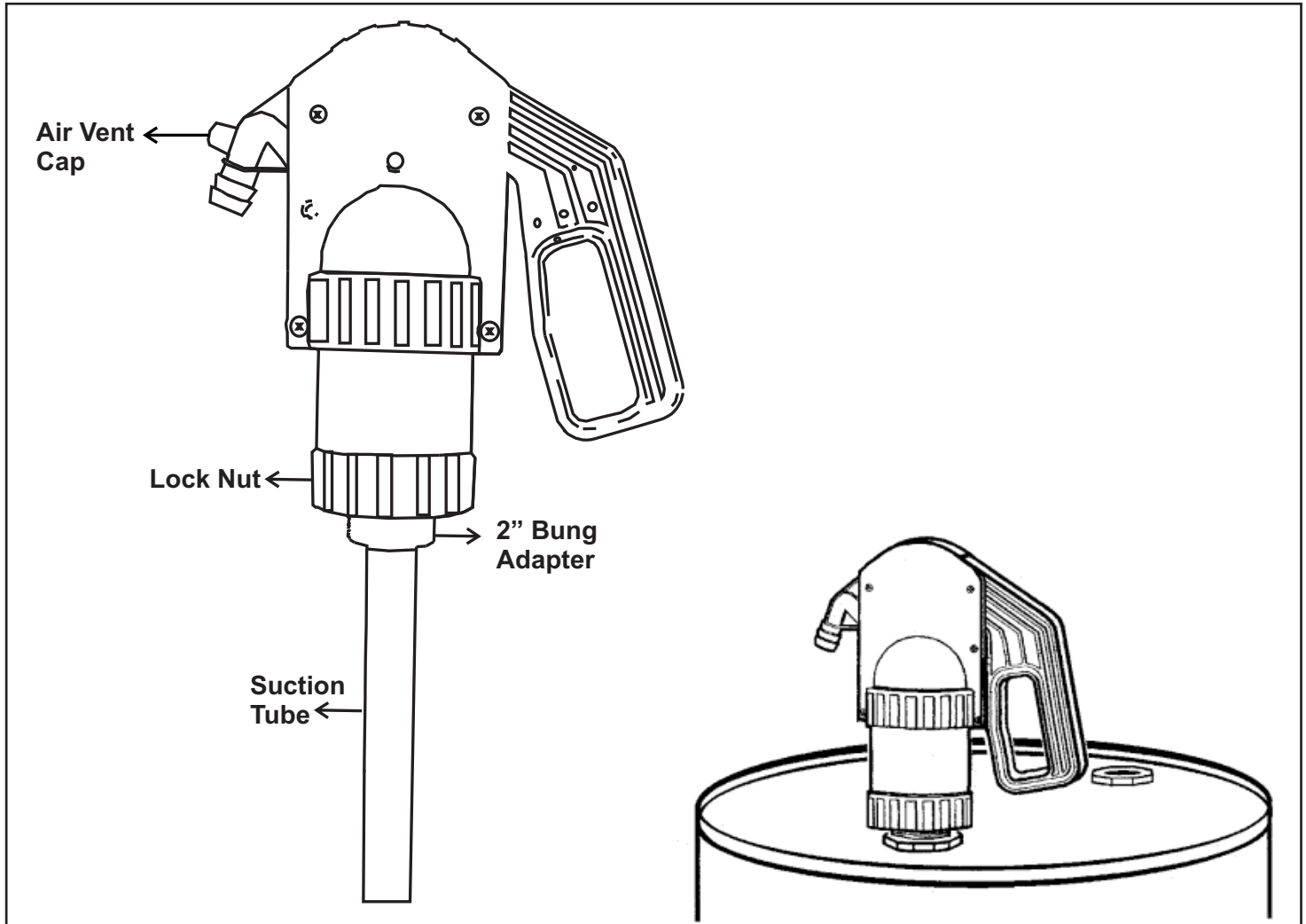




## INSTRUCTIONS FOR USE PLASTIC LEVER PUMP

PLP

Congratulations on your purchase of this world class premium construction Pump



### Piece Count

1. Pump Assembly
2. Plastic Suction Tube (in 2 parts)
3. Corrugated Discharge Hose
4. Hose Clip

### Features

1. Lever Action Barrel pump, designed specifically for use with high viscosity oils. Pump design makes it extremely convenient & comfortable to pump thick oils without excessive fatigue
2. Choice of materials used in the pump construction, make it versatile for use with water based media, as well as select chemicals
3. Built-In 2" Bung Adapter allows the pump to be fixed on Drums with 2" Opening. Pump position can be adjusted using the Lock Nut incorporated in the pump body
4. Pump outlet is fitted with an Air Vent Cap which when loosened breaks the Siphon action
5. Supplied complete with telescopic suction tube for use with 15- 55 gl ( 50-205 Litre ) drums & 2m x 3/4" Flexible Corrugated discharge hose
6. Delivers 1 Pint (500 ml) per stroke
7. Operating Temperature : -5 to + 45 degree Centigrade

## **Wetted Component**

Polypropylene, Polyethylene & Viton

## **Recommended Use**

Water-based media, detergents, soaps, antifreeze, windshield washer, Hydraulic Oils, Lubricants, Agricultural Chemicals, Insecticides , Fungicides, fertilizers & herbicides . Pump should only be used with non Inflammable liquids

## **Do not use with**

Any media not compatible with materials used in the pump construction.

These pumps must never be used for Fuel Transfer or with Thinners, Solvents etc.

## **Assembly & Pump Operation**

1. Pump comes with a 2 part Suction tube. One tube is telescopic in nature & should be used when using the pump on smaller 5-16 gal. (15-50 litre) drums. When using the pump with 55 gal. (205 litre) drums assemble the other suction tube also with the telescopic suction tube & extend it fully. Tighten the connections gently so as not to shear the threads
2. Now screw the Suction tube to the ¾" female threaded opening at the pump inlet.
3. Insert the complete pump assembly (Pump & Suction tube together) into the drum from the 2" threaded opening on the drum
4. Tighten the 2" Bung Threads on the pump onto the threaded opening on the drum
5. Pump has a Built-in Lock Nut which can be turned & used to position the pump outlet on the drum
6. Connect the Corrugated discharge hose using the Hose Clip onto the Pump Outlet
7. Loosen the Air Vent Cap on the Pump outlet if you wish to manually operate the pump. If Siphon action is desired , tighten the cap fully
8. Start operating the pump handle , making sure that the corrugated discharge tube has it's end in the receiving container
9. Within a few strokes , pump will start dispensing media
10. If Air Vent cap is in the fully closed position, pump will keep dispensing even without operating the pump handle until the media level in the supply container becomes equal to the media level in the receiving container. Siphon action can at any time be stopped by opening the air vent cap
11. For best results , pump should be used for pumping only 1 type of media